

**Submittal Data: TERRA09HP230V1A** 9,000 BTU/H Wall Mounted Heat- Pump System

Job Name Location Date

Purchaser Engineer

Submitted To For  Reference  Approval  Construction

Unit Designation Schedule No.

- GENERAL FEATURES**
- Ultra High Efficiency
  - 7 Indoor Fan Speeds
  - 4 Way Airflow Operation
  - Photocatalytic Filter
  - Wireless Remote with LCD Display
  - Gold Fin Condenser Coil
  - 5 year Limited Parts Warranty
  - 7 year Limited Compressor Warranty



**System Ratings**

<b>Cooling</b>	
Rated Capacity	9,000 BTU/H
Capacity Range	3,500-9,6000 BTU/H
Power Input (Max)	1200 W
SEER	27
EER	14.5

<b>Heating at 47° F</b>	
Rated Capacity	9,800 BTU/H
Capacity Range	2,200-11,000 BTU/H
Power Input (Max)	1250 W
HSPF	9.0
COP	3.8

<b>Heating at 17° F</b>	
Rated Capacity	5,800 BTU/H
Capacity (Max)	8,330 BTU/H
Power Input (Max)	1,063 W
COP	2.7

<b>Operating Range</b>	
Cooling (Max)	118°F (48 C)
(Min)	5°F (-15 C)
Heating (Max)	75°F (24 C)
(Min)	5°F (-15 C)

<b>Power Supply</b>	
Normal Operational Voltage	208/230 V, 1 Phase, 60 Hz
Voltage Range	187 - 253 V
Main Power Wire Size	14-2 AWG
Interconnecting Cable Wire Size	14-4 AWG
MCA	10 A
MOCP/Breaker Size	15 A

**Indoor Unit Data**

<b>Fan Motor</b>	Output Power	10 W
	FLA	0.1 A

<b>Airflow</b>	
Cooling Wet (Lo/Hi)	118/418 CFM
Heating Dry (Lo/Hi)	119/420 CFM

<b>Sound Pressure Level</b>	
Cooling (Lo/Hi)	33/42 db(A)
Heating (Lo/Hi)	33/42 db(A)

<b>Dimensions &amp; Weights</b>	
Unit Dimensions (LxHxD)	34.1 x 11.5 x 8.2-in
Weight (Net/Shipping)	24/31 LBS

**Outdoor Unit Data**

<b>Compressor</b>	DC Inverter Driven Rotary
-------------------	---------------------------

<b>Refrigerant Type</b>	R410A
-------------------------	-------

<b>Fan Motor</b>	Output Power	40 W
	FLA	0.2 A

<b>Sound Pressure</b>	
Cooling (Lo/Hi)	49/59 db(A)
Heating (Lo/Hi)	49/59 db(A)

<b>Dimensions &amp; Weights</b>	
Unit Dimensions (LxHxD)	35.4 x 23.5 x 14.9-in
Weight (Net/Shipping)	86/90 LBS

<b>Refrigerant Piping Data</b>	
Gas Pipe Size (OD)	1/2-in
Liquid Pipe Size (OD)	1/4-in
Connection Method	Flared
MAX Refrigerant Pipe Length	50-ft
MIN Refrigerant Pipe Length	10-ft
MAX Refrigerant Pipe Height Difference	33-ft



**EXTENDED RATINGS**

**COOLING PERFORMANCE**

Outdoor Ambient Temperature (DB)	Indoor Entering Air Temperatures (DB) 50% RH					
	62 F		67 F		72 F	
	TC	SHC	TC	SHC	TC	SHC
25 F	11,333	8,458	12,261	8,901	13,076	9,465
35 F	11,096	8,448	11,828	8,662	12,287	8,993
45 F	10,552	8,153	11,307	8,404	12,069	8,792
55 F	10,169	7,892	10,836	8,161	11,591	8,498
65 F	9,814	7,682	10,795	8,222	11,423	8,409
75 F	9,425	7,401	10,176	7,847	10,917	8,081
85 F	9,060	7,224	9,710	7,518	10,527	7,889
95 F	8,628	6,896	9,262	7,421	10,101	7,626
105 F	8,158	6,638	8,768	7,030	9,539	7,322
115 F	7,697	6,370	8,151	6,639	8,699	6,840

**HEATING PERFORMANCE**

Outdoor Ambient Temperature (DB) (80% RH)	Indoor Entering Air Temperatures (DB)					
	65 F		70 F		75 F	
	TC	SHC	TC	SHC	TC	SHC
5 F	8,003	8,003	7,882	7,882	7,785	7,785
15 F	8,291	8,291	8,189	8,189	8,152	8,152
25 F	9,843	9,843	9,717	9,717	9,256	9,256
35 F	10,019	10,019	9,956	9,956	9,605	9,605
45 F	11,096	11,096	10,777	10,777	10,222	10,222
55 F	11,109	11,109	10,830	10,830	10,437	10,437
65 F	11,068	11,068	10,906	10,906	10,624	10,624

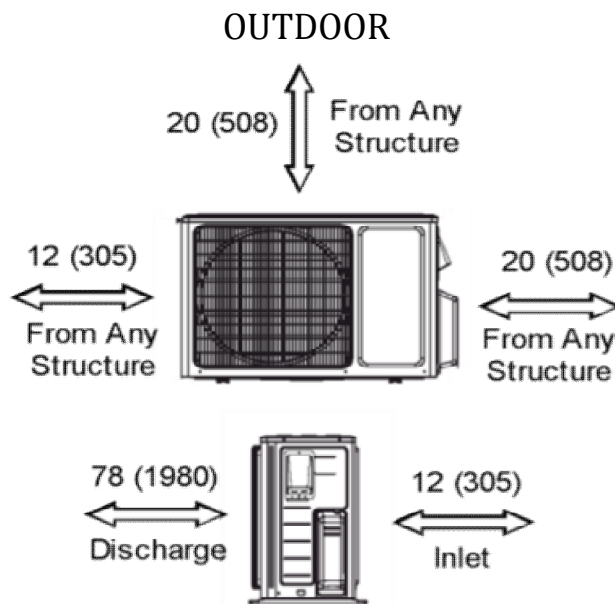
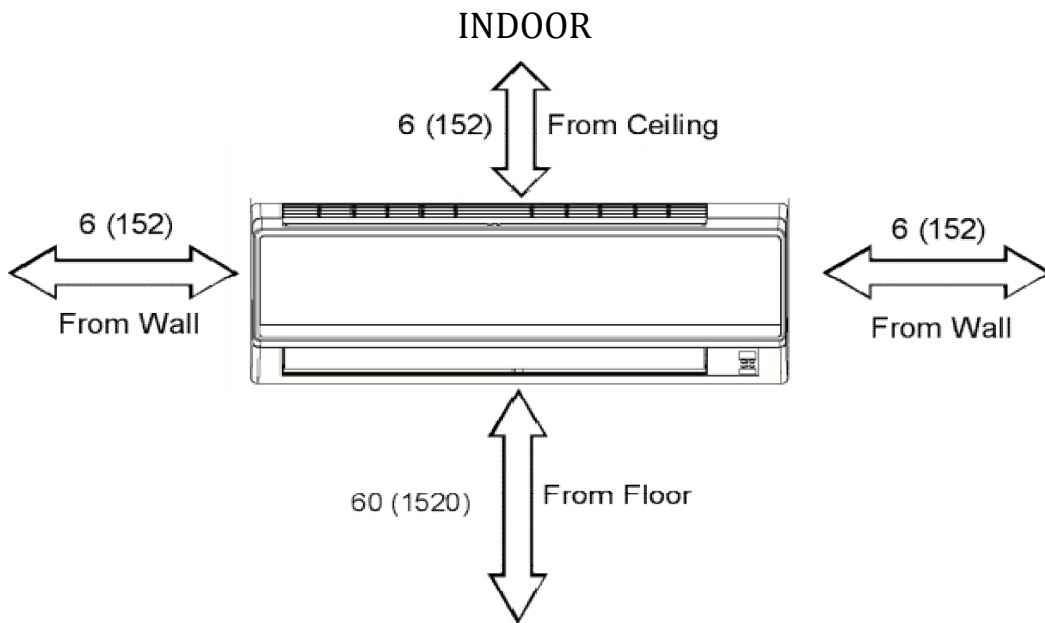
TC- Total Capacity ( BtuH)

SHC- Sensible Capacity (BtuH)



MINIMUM SPACING REQUIREMENTS

Units: inch (mm)

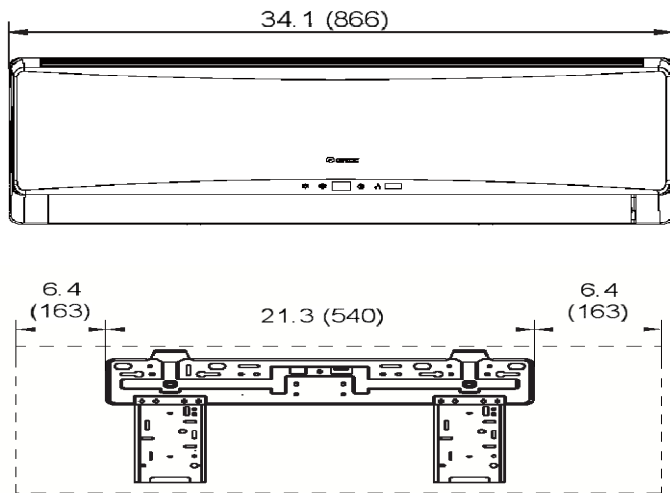


## DIMENSIONAL SPECIFICATIONS

## TERRA09HP230V1A

### INDOOR UNIT DIMENSIONS

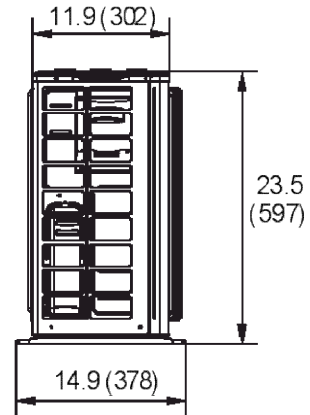
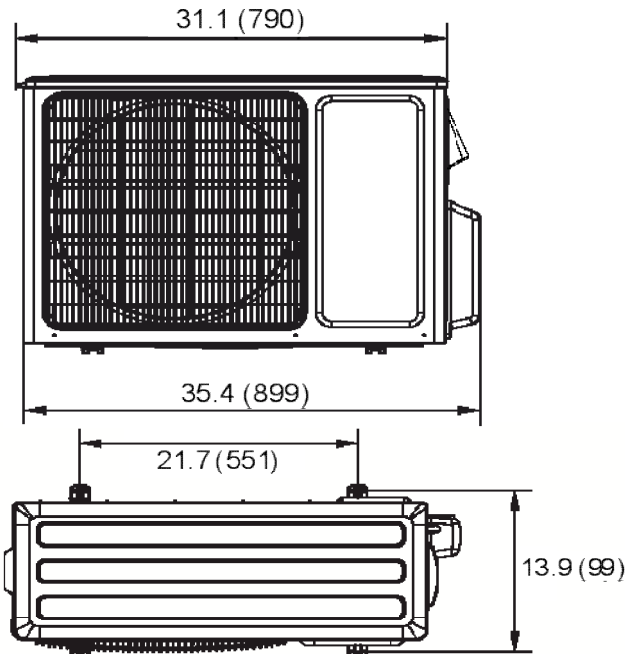
Units: inch (mm)



Liquid Line Valve	1/4-in OD Flared
Gas Line Valve	1/2-in OD Flared
Drain Connector	5/8-in OD

### OUTDOOR UNIT DIMENSIONS

Units: inch (mm)



Liquid Line Valve	1/4-in OD Flared
Gas Line Valve	1/2-in OD Flared

**Notes:**

1. Recommended Interconnecting Cable Type Stranded Bare Copper Conductors THHN 600V Wire
2. Power wiring cable size must comply with applicable national and local codes.
3. Test conditions are based on AHRI 210/240.

Distributed by: **boreal**  
INTERNATIONAL

**GREE**  
Change for Life

Specifications are subject to change without notice. Manufacturer reserves the right to discontinue or modify specifications or designs without notice or without incurring obligations. All rights reserved.