







<b>Submittal Data: NEO24HP230V1A</b>		24,000 BTU/H Wall Mounted Heat- Pump System	
Job Name		Location	
Purchaser		Date	
Submitted To		Engineer	
Submitted To		For <input type="checkbox"/> Reference <input type="checkbox"/> Approval <input type="checkbox"/> Construction	
Unit Designation		Schedule No.	
<b>GENERAL FEATURES</b> -Compact and Quiet Design -Energy Star Qualified -High Efficiency DC Inverter Technology -Wireless Remote with LCD Display -Low Ambient Cool to 5 deg F -Intelligent Defrost -Gold Fin Condenser Coil -5 year Limited Parts Warranty -7 year Limited Compressor Warranty		 <p>AHRI Certified Ref No: 7065022</p>	
System Ratings		Indoor Unit Data	
<b>Cooling</b> Rated Capacity 21,400 BTU/H Capacity Range 9,600-25,000 BTU/H Power Input (Max) 2,650 W SEER 18 EER 12.0		<b>Fan Motor</b> Output Power 60 W FLA 0.2 A  <b>Airflow</b> Cooling Wet (Lo/Hi) 353/589 CFM Heating Dry (Lo/Hi) 373/630 CFM	
<b>Heating at 47° F</b> Rated Capacity 23,000 BTU/H Capacity Range 4,300-26,000 BTU/H Power Input (Max) 2,750 W HSPF 10.0 COP 3.2		<b>Sound Pressure Level</b> Cooling (Lo/Hi) 37/53 db(A) Heating (Lo/Hi) 37/53 db(A)	
<b>Heating at 17° F</b> Rated Capacity 15,000 BTU/H Capacity Range 20,085 BTU/H Power Input (Max) 2,401 W COP 2.6		<b>Dimensions &amp; Weights</b> Unit Dimensions (LxHxD) 39.7 x 12.4 x 8.6-in Weight (Net/Shipping) 30/38 LBS	
Operating Range		Outdoor Unit Data	
Cooling (Max) 109°F (43 C) (Min) 5°F (-15 C) Heating (Max) 75°F (24 C) (Min) 5°F (-15 C)		<b>Compressor</b> DC Inverter Driven Rotary <b>Refrigerant Type</b> R410A <b>Fan Motor</b> Output Power 90 W FLA 1.1 A  <b>Sound Pressure</b> Cooling 58 db(A) Heating 58 db(A)	
<b>Power Supply</b> Normal Operational Voltage 208/230 V, 1 Phase, 60 Hz Voltage Range 187 - 253 V Main Power Wire Size 10-2 AWG Interconnecting Cable Wire Size 14-4 AWG MCA 16.0 A MOCP/Breaker Size 25 A		<b>Dimensions &amp; Weights</b> Unit Dimensions (LxHxD) 38.6 x 31.1 x 16.8 -in Weight (Net/Shipping) 132/146 LBS	
		<b>Refrigerant Piping Data</b> Gas Pipe Size (OD) 5/8-in Liquid Pipe Size (OD) 1/4-in Connection Method Flared MAX Refrigerant Pipe Length 82-ft MIN Refrigerant Pipe Length 10-ft MAX Refrigerant Pipe Height Difference 33-ft	
			
			
			

**EXTENDED RATINGS**

**COOLING PERFORMANCE**

Outdoor Ambient Temperature (DB)	Indoor Entering Air Temperatures (DB) 50% RH					
	62 F		67 F		72 F	
	TC	SHC	TC	SHC	TC	SHC
25 F	28,180	20,924	30,426	22,029	32,525	23,418
35 F	27,276	20,699	29,017	21,183	30,426	21,998
45 F	25,711	19,746	27,436	20,358	29,396	21,312
55 F	24,517	18,976	26,088	19,566	27,967	20,416
65 F	23,449	18,220	25,745	19,540	27,299	19,955
75 F	22,316	17,451	23,991	18,449	26,043	19,220
85 F	21,217	16,846	22,684	17,512	24,855	18,567
95 F	19,945	15,936	21,400	17,099	23,626	17,743
105 F	18,892	15,341	20,304	16,203	22,268	17,102
115 F	17,836	14,697	18,871	15,285	20,346	15,931

**HEATING PERFORMANCE**

Outdoor Ambient Temperature (DB) (80% RH)	Indoor Entering Air Temperatures (DB)					
	65 F		70 F		75 F	
	TC	SHC	TC	SHC	TC	SHC
5 F	20,177	20,177	19,042	19,042	18,576	18,576
15 F	21,567	21,567	19,676	19,676	19,558	19,558
25 F	22,883	22,883	21,720	21,720	20,484	20,484
35 F	24,161	24,161	22,363	22,363	21,425	21,425
45 F	25,423	25,423	24,561	24,561	23,073	23,073
55 F	25,457	25,457	24,721	24,721	23,640	23,640
65 F	25,337	25,337	24,966	24,966	24,197	24,197

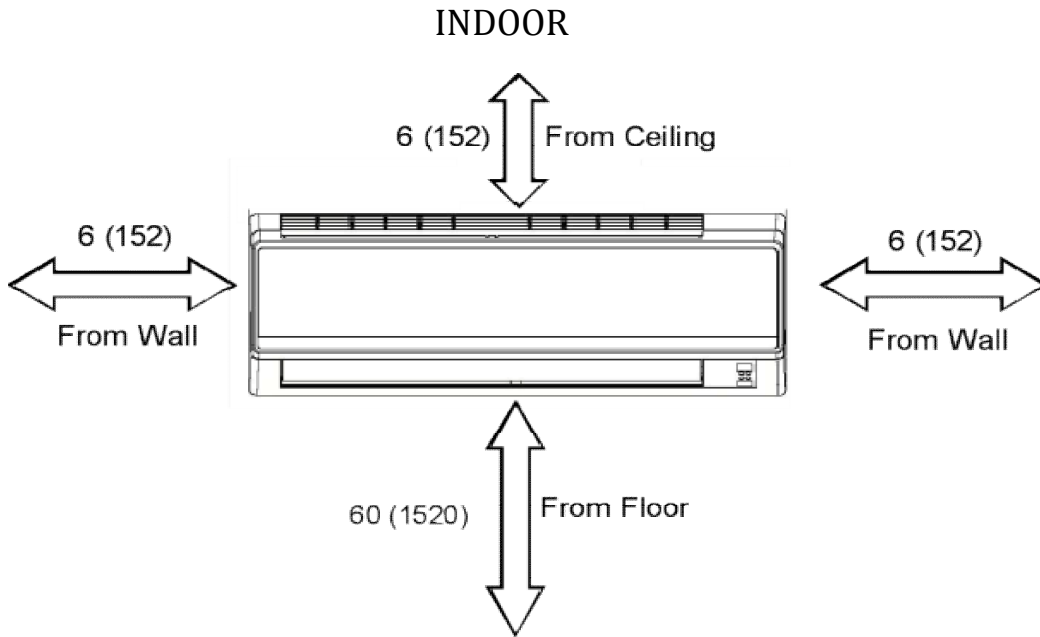
TC- Total Capacity ( BtuH)

SHC- Sensible Capacity (BtuH)

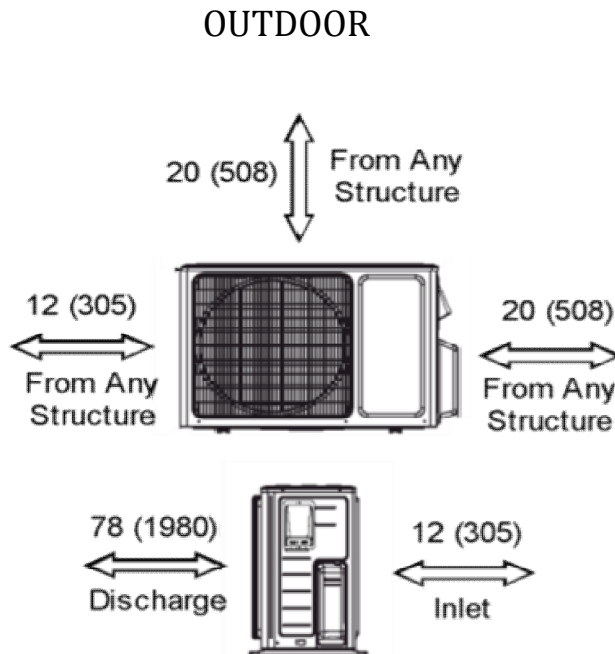


MINIMUM SPACING REQUIREMENTS

Units: inch (mm)



Units: inch (mm)

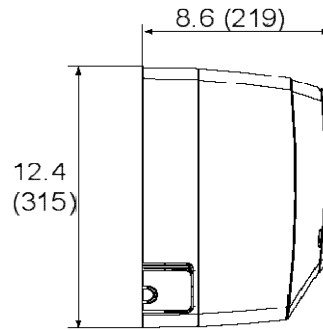
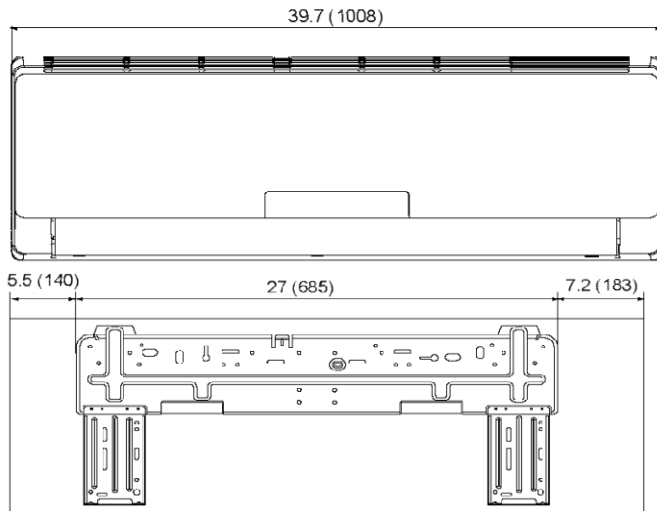


## DIMENSIONAL SPECIFICATIONS

**NEO24HP230V1A**

### INDOOR UNIT DIMENSIONS

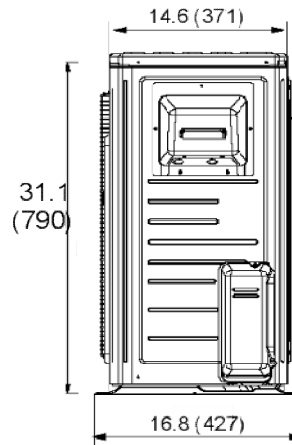
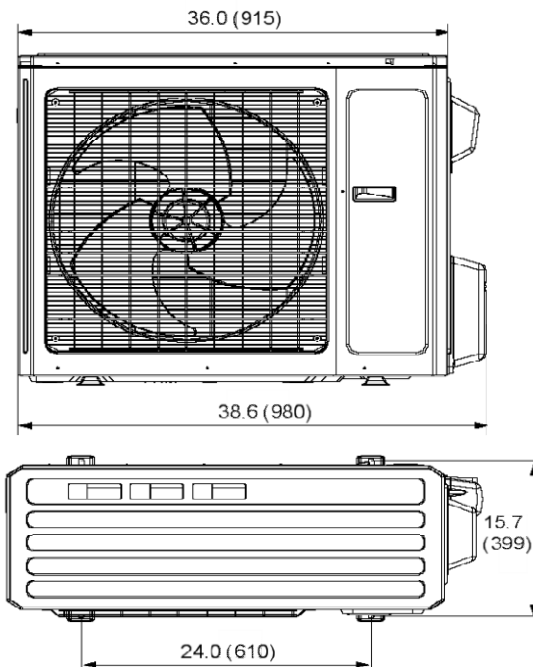
Units: inch (mm)



Liquid Line Valve	1/4-in OD Flared
Gas Line Valve	5/8-in OD Flared
Drain Connector	5/8-in OD

### OUTDOOR UNIT DIMENSIONS

Units: inch (mm)



Liquid Line Valve	1/4-in OD Flared
Gas Line Valve	5/8-in OD Flared

**Notes:**

1. Recommended Interconnecting Cable Type Stranded Bare Copper Conductors THHN 600V Wire
2. Power wiring cable size must comply with applicable national and local codes.
3. Test conditions are based on AHRI 210/240.

Distributed by: **boreal**  
INTERNATIONAL

**GREE**  
Change for Life

[www.greecomfort.com](http://www.greecomfort.com)

Specifications are subject to change without notice. Manufacturer reserves the right to discontinue or modify specifications or designs without notice or without incurring obligations. All rights reserved.