

**Submittal Data: NEO09HP230V1A** 9,000 BTU/H Wall Mounted Heat- Pump System

Job Name Location Date

Purchaser Engineer

Submitted To For  Reference  Approval  Construction

Unit Designation Schedule No.

- GENERAL FEATURES**
- Compact and Quiet Design
  - Energy Star Qualified
  - High Efficiency DC Inverter Technology
  - Wireless Remote with LCD Display
  - Low Ambient Cool to 5 deg F
  - Intelligent Defrost
  - Gold Fin Condenser Coil
  - 5 year Limited Parts Warranty
  - 7 year Limited Compressor Warranty



**System Ratings**

<b>Cooling</b>	
Rated Capacity	9,000 BTU/H
Capacity Range	3,500-9,600 BTU/H
Power Input (Max)	1,075 W
SEER	22
EER	14.2

**Indoor Unit Data**

<b>Fan Motor</b>	Output Power	20 W
	FLA	0.2 A
<b>Airflow</b>		
Cooling Wet (Lo/Hi)		218/306 CFM
Heating Dry (Lo/Hi)		235/317 CFM
<b>Sound Pressure Level</b>		
Cooling (Lo/Hi)		32/42 db(A)
Heating (Lo/Hi)		32/42 db(A)
<b>Dimensions &amp; Weights</b>		
Unit Dimensions (LxHxD)		33.3 x 10.8 x 7.1-in
Weight (Net/Shipping)		22/29 LBS

<b>Heating at 47° F</b>	
Rated Capacity	9,800 BTU/H
Capacity Range	2,200-11,000 BTU/H
Power Input (Max)	900 W
HSPF	9.2
COP	3.8

**Outdoor Unit Data**

<b>Compressor</b>	DC Inverter Driven Rotary	
<b>Refrigerant Type</b>	R410A	
<b>Fan Motor</b>	Output Power	30 W
	FLA	0.2 A
<b>Sound Pressure</b>		
Cooling	50 db(A)	
Heating	50 db(A)	
<b>Dimensions &amp; Weights</b>		
Unit Dimensions (LxHxD)	33.4 x 21.3 x 12.6 -in	
Weight (Net/Shipping)	79/90 LBS	

<b>Heating at 17° F</b>	
Rated Capacity	5,500 BTU/H
Capacity (Max)	8,602 BTU/H
Power Input (Max)	790 W
COP	2.2

<b>Operating Range</b>		
Cooling	(Max)	109°F (43 C)
	(Min)	5°F (-15 C)
Heating	(Max)	75°F (24 C)
	(Min)	5°F (-15 C)

<b>Power Supply</b>	
Normal Operational Voltage	208/230 V, 1 Phase, 60 Hz
Voltage Range	187 - 253 V
Main Power Wire Size	14-2 AWG
Interconnecting Cable Wire Size	14-4 AWG
MCA	10.0 A
MOCP/Breaker Size	15 A

<b>Refrigerant Piping Data</b>	
Gas Pipe Size (OD)	3/8-in
Liquid Pipe Size (OD)	1/4-in
Connection Method	Flared
MAX Refrigerant Pipe Length	50-ft
MIN Refrigerant Pipe Length	10-ft
MAX Refrigerant Pipe Height Difference	33-ft



**EXTENDED RATINGS**

**COOLING PERFORMANCE**

Outdoor Ambient Temperature (DB)	Indoor Entering Air Temperatures (DB) 50% RH					
	62 F		67 F		72 F	
	TC	SHC	TC	SHC	TC	SHC
25 F	11,213	8,338	12,141	8,781	12,956	9,345
35 F	10,976	8,328	11,708	8,542	12,267	8,873
45 F	10,432	8,033	11,187	8,284	11,949	8,672
55 F	10,049	7,772	10,716	8,041	11,471	8,378
65 F	9,694	7,562	10,675	8,102	11,303	8,289
75 F	9,305	7,281	10,056	7,727	10,797	7,961
85 F	8,940	7,104	9,590	7,398	10,407	7,769
95 F	8,508	6,776	9,142	7,301	9,981	7,506
105 F	8,038	6,518	8,648	6,910	9,419	7,202
115 F	7,577	6,250	8,031	6,519	8,579	6,720

**HEATING PERFORMANCE**

Outdoor Ambient Temperature (DB) (80% RH)	Indoor Entering Air Temperatures (DB)					
	65 F		70 F		75 F	
	TC	SHC	TC	SHC	TC	SHC
5 F	8,321	8,321	7,960	7,960	7,705	7,705
15 F	9,015	9,015	8,321	8,321	8,313	8,313
25 F	9,533	9,533	9,727	9,727	9,655	9,655
35 F	11,020	11,020	11,506	11,506	10,998	10,998
45 F	12,481	12,481	12,365	13,072	12,510	12,510
55 F	13,502	13,502	13,247	13,247	12,722	12,722
65 F	13,484	13,484	13,335	13,335	12,985	12,985

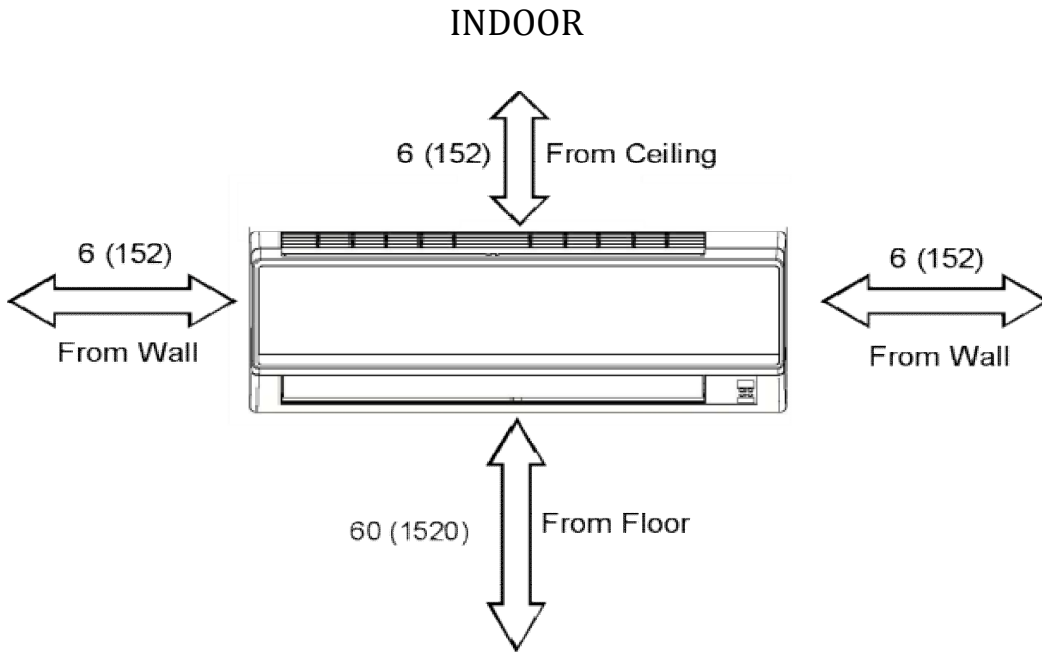
TC- Total Capacity ( BtuH)

SHC- Sensible Capacity (BtuH)

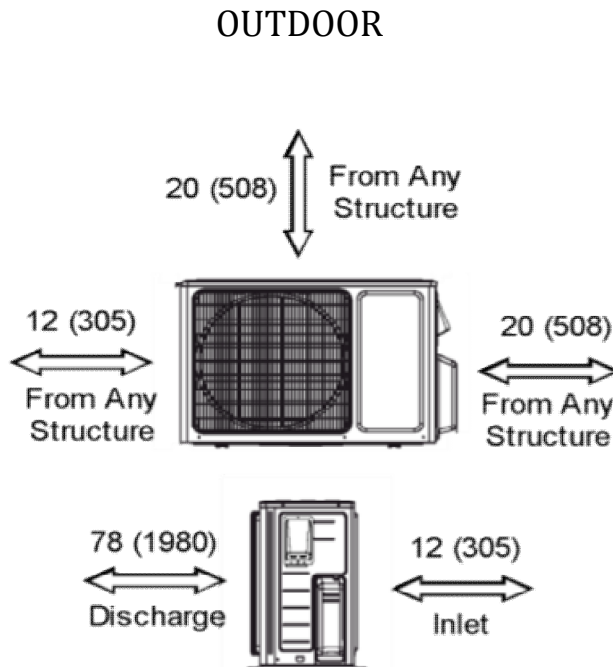


MINIMUM SPACING REQUIREMENTS

Units: inch (mm)



Units: inch (mm)

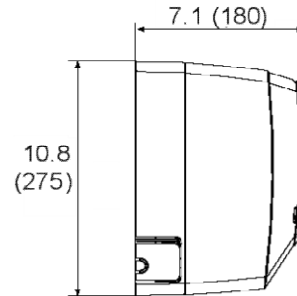
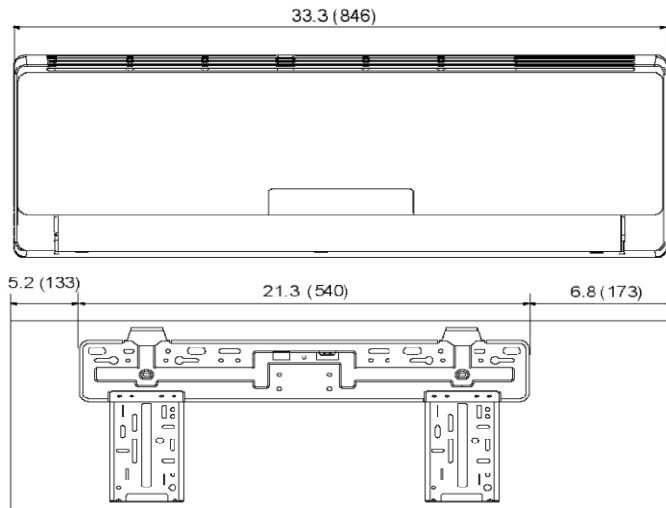


## DIMENSIONAL SPECIFICATIONS

**NEO09HP230V1A**

### INDOOR UNIT DIMENSIONS

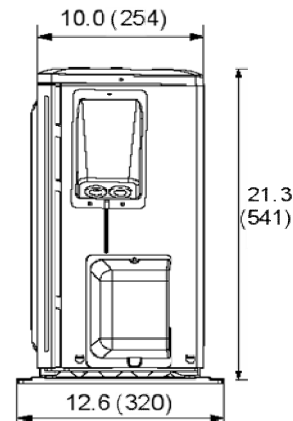
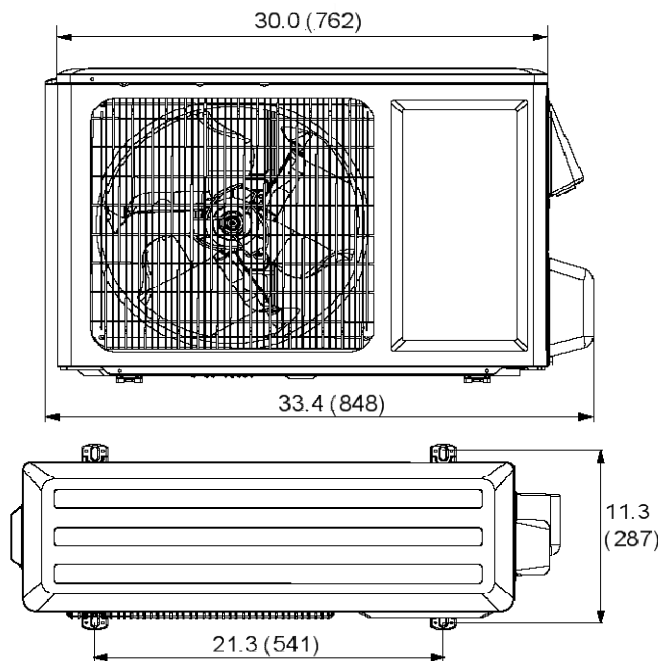
Units: inch (mm)



Liquid Line Valve	1/4-in OD Flared
Gas Line Valve	3/8-in OD Flared
Drain Connector	5/8-in OD

### OUTDOOR UNIT DIMENSIONS

Units: inch (mm)



Liquid Line Valve	1/4-in OD Flared
Gas Line Valve	3/8-in OD Flared

**Notes:**

1. Recommended Interconnecting Cable Type Stranded Bare Copper Conductors THHN 600V Wire
2. Power wiring cable size must comply with applicable national and local codes.
3. Test conditions are based on AHRI 210/240.

Distributed by: **boreal**  
INTERNATIONAL

**GREE**  
Change for Life

[www.greecomfort.com](http://www.greecomfort.com)

Specifications are subject to change without notice. Manufacturer reserves the right to discontinue or modify specifications or designs without notice or without incurring obligations. All rights reserved.